

1800-101

TalentumTT²

The TalentumTT² is a test and calibration unit explicitly designed to work with the full range of Talentum[®] Flame Detectors.

Using the intuitive menu, choose the type of Flame Detector to be tested; squeeze the trigger, and the TalentumTT² will automatically perform a test from a distance of up to 19ft 8in (6m), which means that in many applications, the Flame Detector can be tested from ground level.

The TalentumTT² recreates the characteristic spectrum of a flame using a combination of UV and IR bulbs. Once testing is complete the TalentumTT² can store your test results for download to a PC.

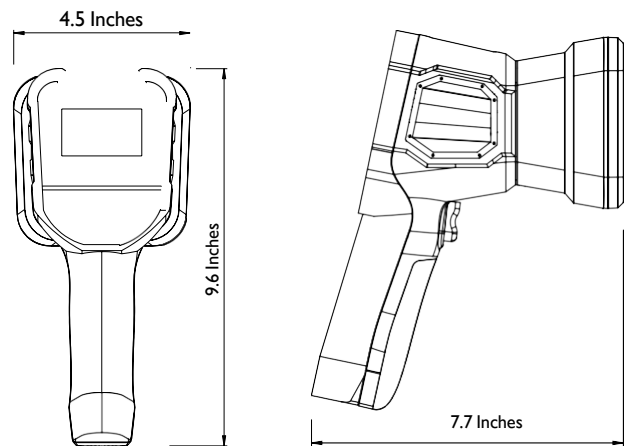
In addition to the testing functionality, The TalentumTT² can recalibrate a Talentum[®] Flame Detector. Connect the Calibration Kit (sold separately or order 1800-012 to upgrade) between the TalentumTT² and the front of the Talentum[®] Flame Detector and follow the menu to recalibrate the Flame Detector in the field.

The TalentumTT²'s integral battery is recharged via USB from either a PC or off the shelf USB charger.



Specification	
Suitability	Talentum UV, UV/IR, UV/IR2, IR3
Range	3-19ft (1-6m) (max)
Test Time	Up to 40 tests each of 30 seconds
Service Interval	2000 tests, or 2 years
Batteries	Lithium Ion rechargeable
Battery charging time	3 hours (fast), 8 hours (normal)
Charging and data port	USB type C
Weight	1.87lbs (850g)
Dimensions	4.5(W) x 9.6(H) x 7.7(D)in
Ingress protection rating	IP54
Operating temperature	14°F to 131°F (-10°C to +55°C)
Storage temperature	-4°F to 147°F (-20°C to +65°C)
Talentum in field calibration kit	Optional
Field calibration record capacity	1024 calibrations

Dimensions



Ordering codes:

1800-101 TalentumTT² without calibration kit

1800-106 TalentumTT² with calibration kit

1800-102 Standalone Calibration kit

Installation Recommendations

Please refer to our User Manual for usage of the TalentumTT².

FFE Ltd assumes no responsibility for their use. Data and design are subject to change without notice. Installation and wiring instructions are shipped with the products and should always be used for actual installation. For more information, contact your Sales Representative.

Document Part No: 24-0428-01